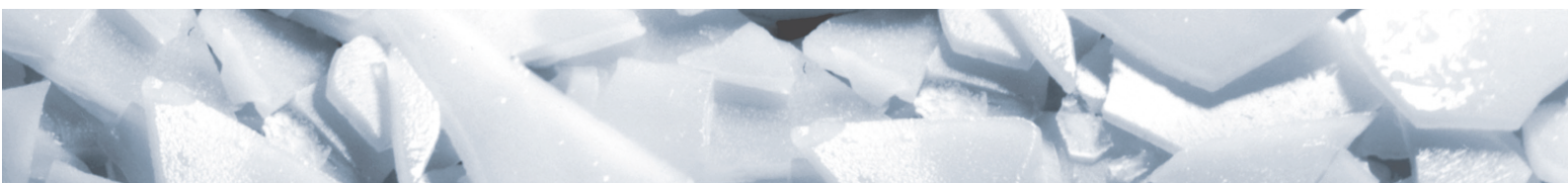




Technical data sheet G30 CO2 generator R744

EN_V1.00_2022-02-01



Physical limits of the G30 CO2 generator

Coolant type:



For the other coolants: contact Geneglace

Pression Maximale de Service (PMS) :

"Permissible limits of pressure equipment" (bas)

Température Mini. évaporation

Ambient air temperature: + 10 to + 35 °C (dry bulb)

Water quality Fresh water for human consumption

Temperature of water to be frozen +5 to +25 °C

Water supply pressure 0,6 to 1,5 bars

Supply water hardness TH 15 to 20° French

Supply water acidity pH 7/8

Sodium chloride content 100 g/m³

Protection index: IP44

Electrical power supply: Read information on maker's plate and comply with applicable standards.

Value airborne noise >70 dB

Permissible limits of pressure equipment

Type	Volume (L)	PS (Min/Max) (Bar)	T° (Min/Max) (°C)
G30 CO2	2,5	-1/+40	-30/+45

Type	Coolant	D.E.S.P. Category	Coolant group	Load (kg) (kg)	T. eq CO2
G30 CO2	R744	I	2	2	0,004

G30 CO2 generator supply limit

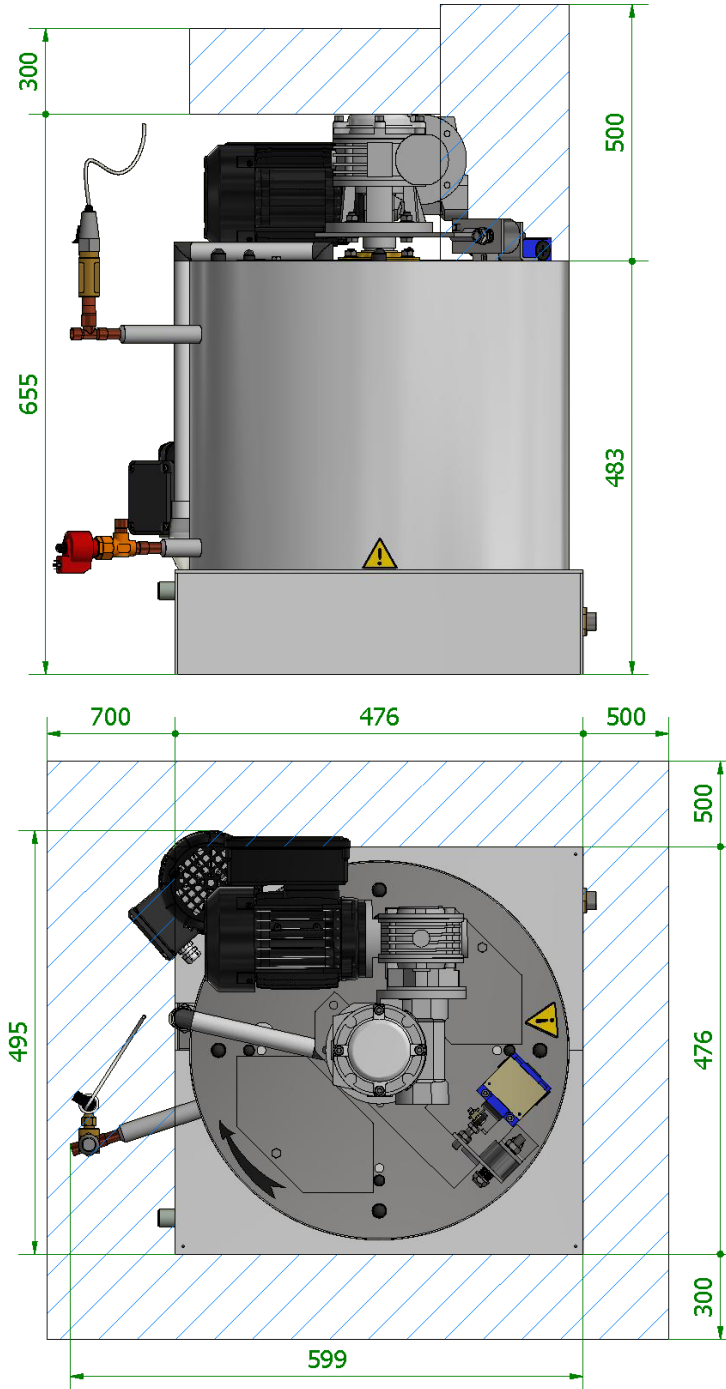
Cylinder	<ul style="list-style-type: none">• Double-walled cylinder: Machined steel, Genecoat® coating.• Thermal insulation of the cylinder: Expanded polyurethane injection.• External cylinder coating: White lacquered aluminium sheet.
Base	<ul style="list-style-type: none">• Lower base: Stainless steel• Thermal insulation of the base: White PVC coated panels.• Base cover: White polyethylene.• Water supply float valve .• Submersible water pump• Water tube between water pump discharge and distribution bowl.
Rotating part	<ul style="list-style-type: none">• Central shaft: Stainless steel.• Lower central shaft bearing assembly: Stainless steel box, spherical plain bearing.• Upper central shaft bearing assembly: Stainless steel box, spherical plain bearing.• Lower water collection bowl: stainless steel.• Upper water distribution bowl: stainless steel.• Vertical deflector: stainless steel.• Overflow tube water distribution bowl• Helical reamer: stainless steel.• Eccentric reamer approach adjustment arrangement.• Scrapers for limiting the watering area: EPDM.• Top part with inspection hatch: Stainless steel.
Rotating part drive	<ul style="list-style-type: none">• Direct drive gear motor assembly.
Safety	<ul style="list-style-type: none">• Safety by force limiter on electrical contact (manual reset)
Refrigeration supply	<ul style="list-style-type: none">• (G30 CO2H and G30 CO2 CO2 H) Plate heat exchanger (not mounted): stainless steel.• G30 CO2 Electronic expansion valve, driver, pressure sensor, temperature sensor.
Misc.	<ul style="list-style-type: none">• Refillable salt dosing tube + 25 kg of sodium chloride tablets

Generator G30 with refrigerant R744 (CO2)

Characteristics	Units	
Approx. load	kg	<i>"Permissible limits of pressure equipment" (Page2)</i>
Water to be frozen	°C	15
	°F	59
Production	T /24h	1,2
	UST/24h	1.10
Cooling capacity	KW	5,5
	BTU/h	18767
Condensation temp.		
Pressure reducer	°C	5
	°F	41
Détendeur	Type	E2V18SWF10
Frequency	Hz	50
Speed of rotation	tr/h	97
Thickness of ice flakes	mm	2,1
	inch	0.08
Evaporation temperature at the generator	°C	-26
	°F	-14.8
Frequency	Hz	60
Speed of rotation	tr/h	97
Thickness of ice flakes	mm	2,1
	inch	0.08
Evaporation temperature at the generator	°C	-26
	°F	-14.8

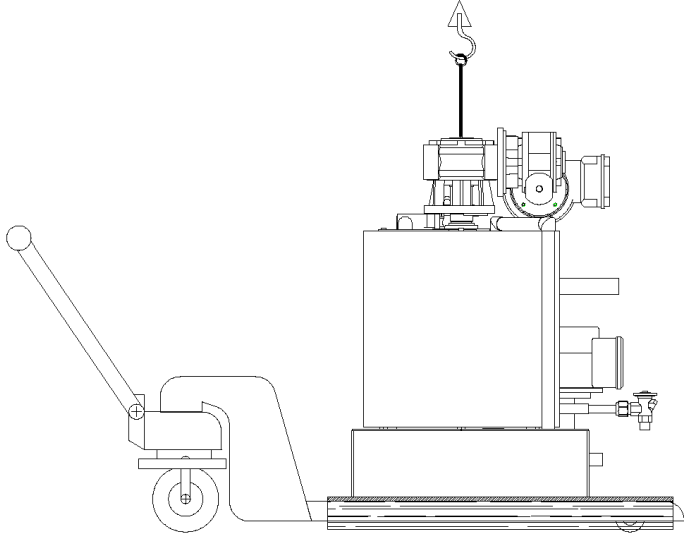
Dimensions

Generators G30 CO2



*Values in millimetres

G30 CO2 generator Shipment



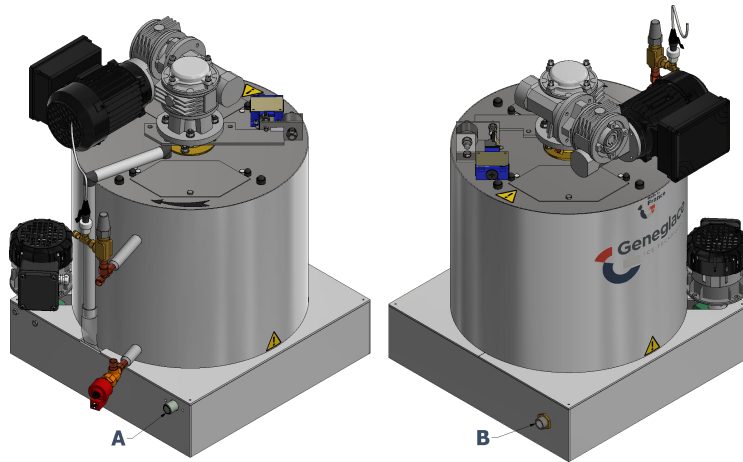
The packaging is hydrophobic and moisture resistant,
The packaging is used for air, sea and road shipments.

G30 CO2 generator

Volume	0,6 m ³
Length	840 mm (33 inches)
Width	740 mm (30 inches)
Height	960 mm (38 inches)
Net weight	90 Kg (199 lbs)
Gross weights	126 Kg (278 lbs)

G30 CO2 generator Hydraulic characteristics

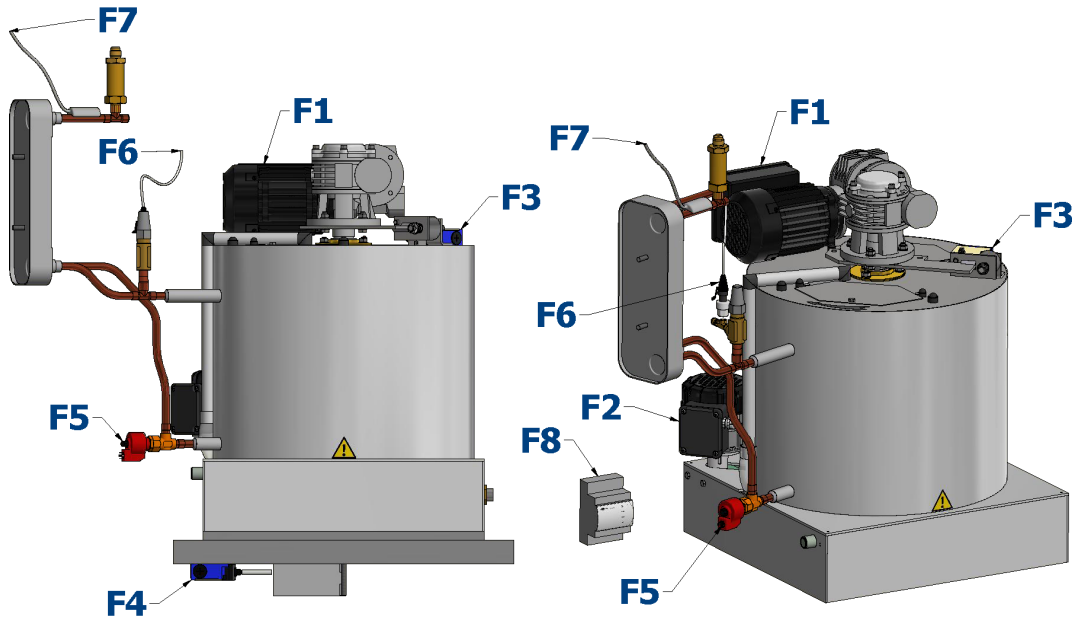
Generator G30 CO2



Generator	Ref.	Designation	Qty	Connections		
				Dimensions	Type	Material
G30 CO2	A	Water supply	1	1/2" gaz	Threaded	PVC
	B	Overflow	1	20/22 mm	Smooth tube	Stainless steel

G30 CO2 generator Electrical characteristics

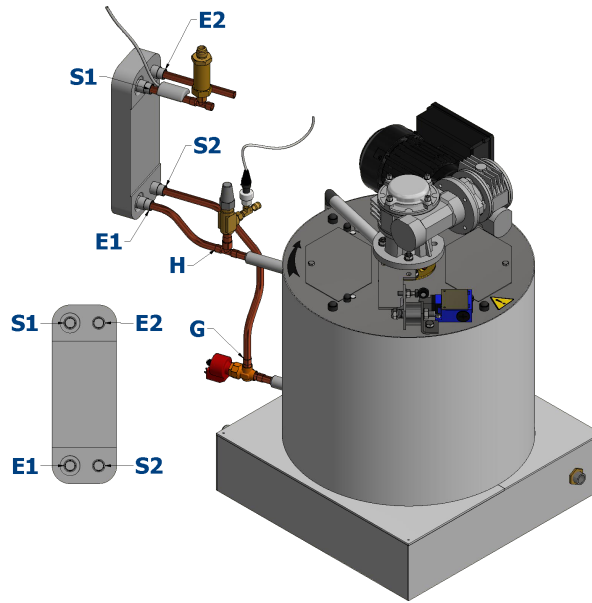
Generator G30 CO2



Ref.	Designation	Qty.	Electrical power supply	Nominal power	Nominal current	Contact
F1	Scraper motor	1	400V - 3 - 50Hz	90W	0,62A	-
	Scraper motor	1	230V - 1 - 50Hz	110W	1,2A	-
F2	Water pump	1	230V - 1 - 50Hz	16W	0,14A	-
F3	Torque limiter contact	1	-	-	-	1NC/1NO
F4	Ice level safety contact	1	-	-	-	1NC/1NO
F5	Pressure reducer	1	24V	-	-	-
F6	Pressure sensor	1	-	-	-	-
F7	Temperature sensors	1	-	-	-	-
F8	Driver	1	24V	-	-	-

Cooling characteristics

Generator G30 CO2



Ref.	Designation	Qty.	Connections	G30 CO2
E1-S1	Heat exchanger Suction line	1	Dimensions	15,95 mm
			Type	O.D.F
			Material	Stainless steel
E2-S2	Heat exchanger Liquid line	1	Dimensions	15,95 mm
			Type	O.D.F
			Material	Stainless steel
H	Suction	1	Dimensions	5/8
			Type	O.D.M
			Material	Copper
J	Liquid supply	1	Dimensions	1/2"
			Type	O.D.M
			Material	Copper

Options G30 CO2 generator

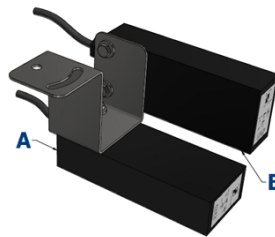
Salt dosing pump

- Power supply 100÷240 Vac - 50/60 Hz - 15 W
- Flow rate range: (0.1 % to 100%)x 2 L/h.
- IP65
- Fuse 1.6 A (20 W).
- 50 L reserve
- 25 Kg salt tablets



Ice level detection

- IP: 67
- CE and UL standards
- Power supply : 10-30 VDC
- 2 Infrared sensor:
 - A: Infrared sensor for security level
 - B: Infrared sensor for control level
- 1 Ice level sensors holder in inox steel



Electrical panel PGS_2 CO2

- IP: 55
- CE or UL standards
- Available power supply voltages:
 - 400 V-3+Neutral / 50 Hz
 - 400 V-3 / 50 Hz
 - 575 V-3 / 60 Hz
 - 460 V-3 / 60 Hz



Remote control for PGS_2 Electrical panel

- IP: 65
- CE or UL standards
- An On button
- An Off button
- A green On indicator light
- A red fault indicator light
- A weekly programmable clock
- An emergency stop button

