



Client \_\_\_\_\_ Quantity \_\_\_\_\_  
 Project \_\_\_\_\_ Position \_\_\_\_\_

## Smart 700 cabinet

**Model:** A70/1ME

**Cod:** A12070200101

### Technical data

<b>Gross capacity:</b>	601 lt
<b>Temperature range:</b>	-2°+8°C
<b>Refrigerant unit:</b>	Plug-in
<b>Energetic class:</b>	A
<b>Energy efficiency index:</b>	24,9
<b>Annual consumption:</b>	335 kW/h annum
<b>24h consumption:</b>	0,918 kW/h/24h
<b>Climate class:</b>	5
<b>Cooling gas:</b>	R290
<b>Defrost:</b>	Hot gas
<b>Valve:</b>	Supplied standard with solenoid
<b>Dimensions (mm):</b>	740×815×2085 mm
<b>Packing dimensions:</b>	835×930×2138 mm
<b>Gross weight:</b>	140 Kg
<b>Voltage:</b>	220-240 V - 50 Hz
<b>Total rate:</b>	220 W
<b>Absorbed Current:</b>	1,0 A
<b>Cooling capacity:</b>	406 W*
<b>*:</b>	Evap. -10°C Cond. +55°C

### Features

<b>Standard equipment:</b>	3 slides for GN2/1 shelves, 3 plastic coated GN2/1 shelves, lock with key
<b>Control:</b>	Electronic, display flush with the panel
<b>Doors:</b>	1 door, self-closing with a 105° stop, right hinged
<b>Door gasket:</b>	Magnetic, triple chamber and easily replaceable
<b>Insulation:</b>	75 mm thickness - CFC/HCFC free
<b>Exterior/interior finishing:</b>	Exterior and interior AISI 304 stainless steel. Back, base and internal technical compartment in galvanized/colaminated steel.
<b>Inner corners:</b>	Rounded for easy cleaning and ensuring maximum hygiene
<b>Handle:</b>	In PVC
<b>Racks and slides:</b>	Stainless steel AISI 304
<b>Feets:</b>	AISI 304 stainless steel adjustable h 100/150 mm
<b>Cosmo:</b>	Predisposed for Cosmo Hub connection

## Accessories and variants

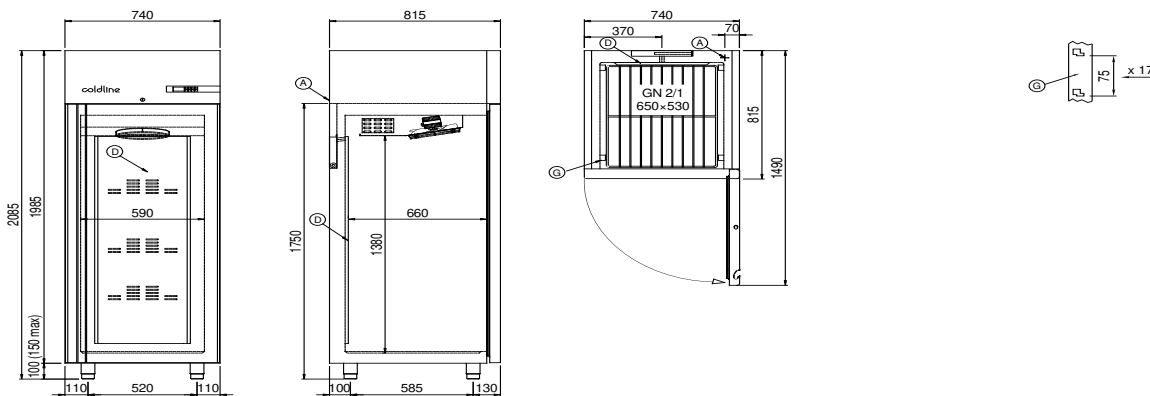
Power supply frequency 60Hz  
 Other special voltage  
 Half doors Smart  
 Frame for fixed masonry plinth  
 Kit für Öffnung der Tür mit Pedal  
 4 Swivel and brake castors h 128 mm  
 1 door LED lighting  
 Stainless steel shelf GN2/1  
 Plastic coated shelf GN2/1  
 Pair of type C slides 605 mm  
 Serial interface, RS485 cable  
 Cosmo connection kit

### COSMO - wi-fi control

Cosmo is the wifi technology that allows Coldline appliances to be connected and monitored from a smartphone. The cabinet, connected with Cosmo kit or with Cosmo box wifi to a Cosmo hub (MODI, VISION or LEVTRONIC), can be monitored by the CosmoApp to receive alerts in case of abnormal operation.

\*The installation requires a kit for the replacement of the racks

## Technical draw



**A:** Power supply cable outlet

**D:** Airflow conveyor

**G:** Racks pitch

In order to constantly offer the best possible products we reserve the right to make changes on technical specifications without incurring any obligation for equipment previously or subsequently sold.